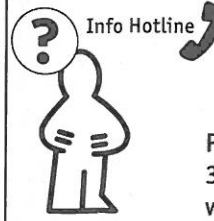


# Safety Instructions



0, 1, 2, 3, 4, 6, 7, 8, 11, 15,  
17, 19, 20, 25, 29



Info Hotline

+49 (0) 5041 998 389

Mon.-Do. 7<sup>00</sup>-20<sup>00</sup>

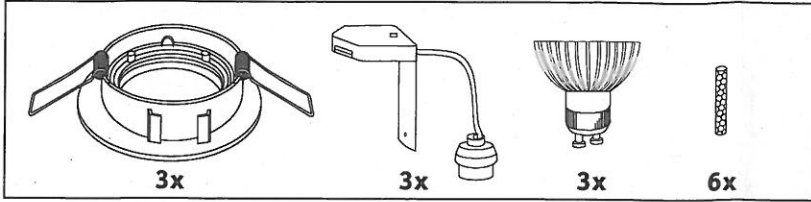
Fr. 7<sup>00</sup>-17<sup>00</sup>

Paulmann Licht GmbH  
31832 Springe / Germany  
www.paulmann.com

Art.-Nr.:

925.16

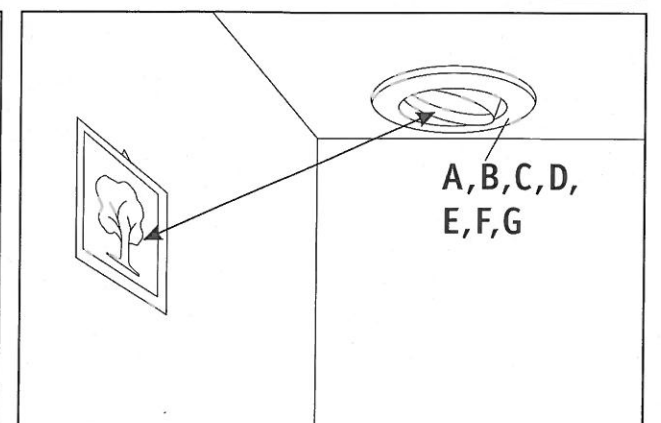
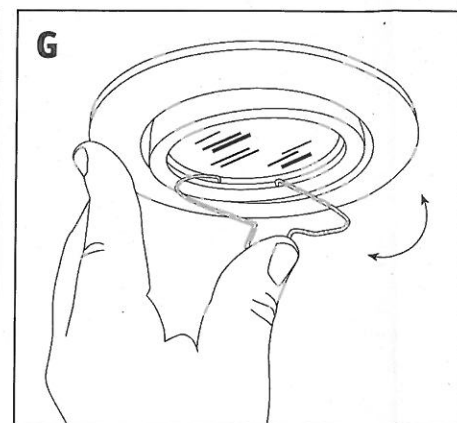
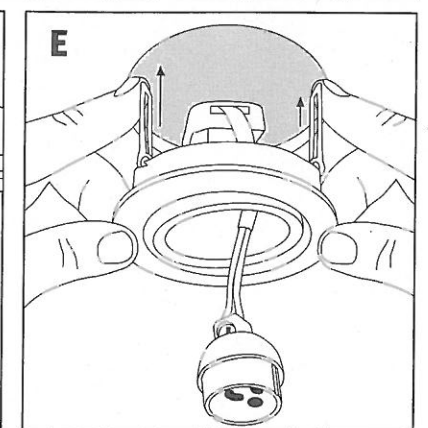
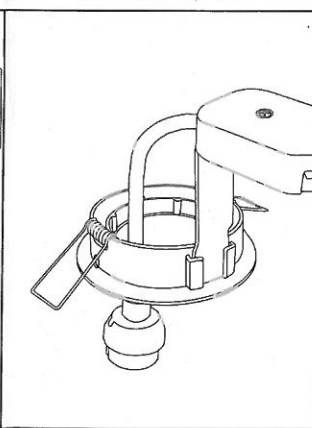
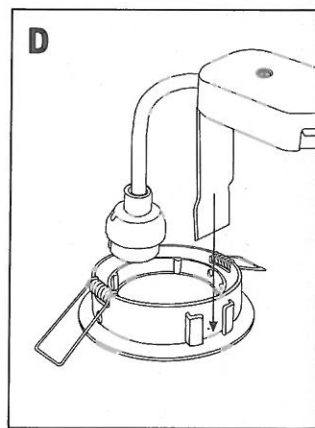
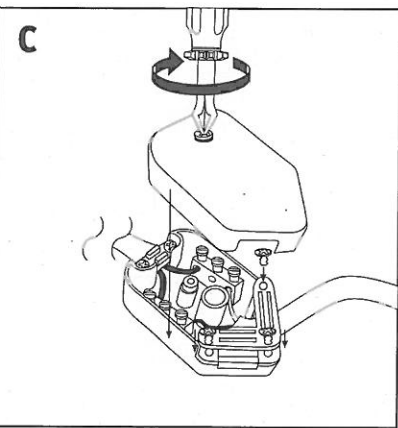
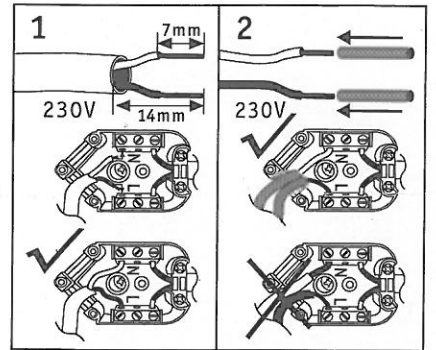
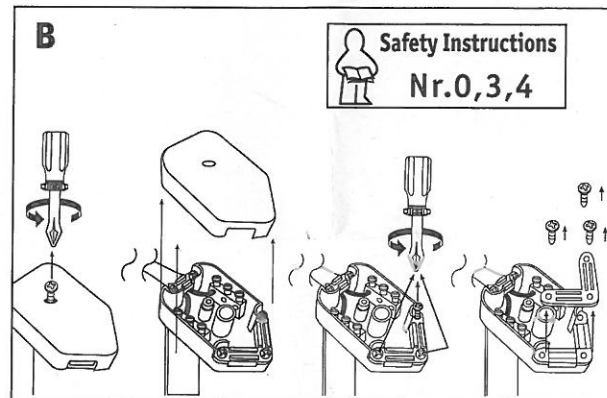
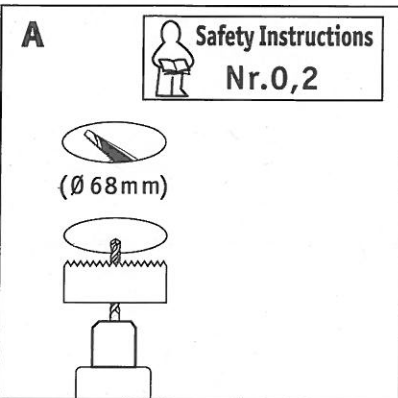
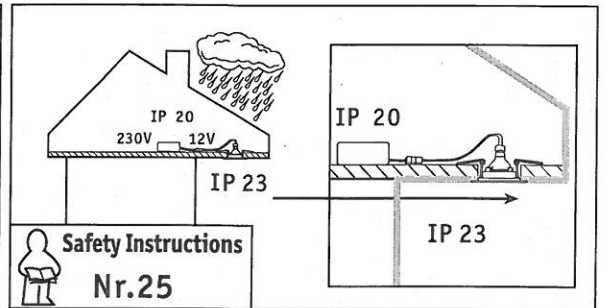
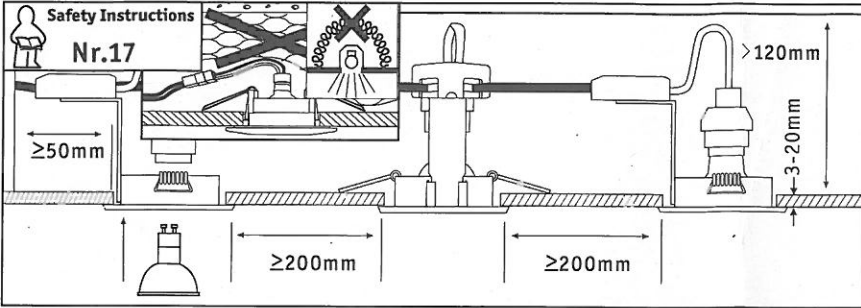
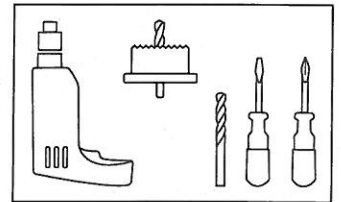
(+MA 173) CE  
PBO 05/13



incl.  
3x3.5W  
Gu10



Paulmann  
Art.-Nr.282.19



Safety Instructions  
Nr.7,8